

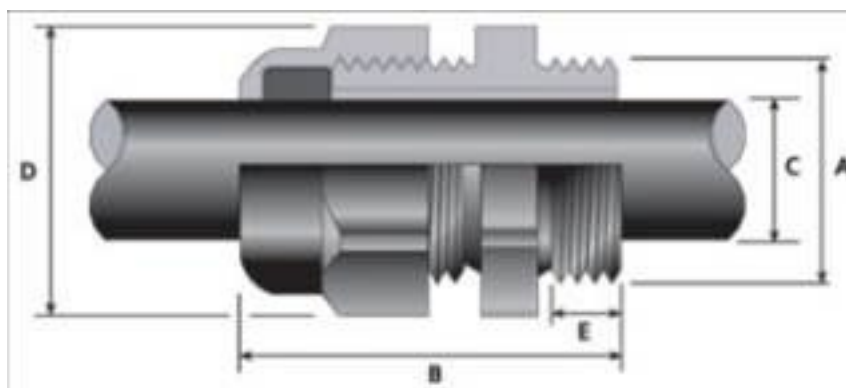


## A2Pe - Nylon Type for Unarmoured Cable – Premium

- Description** Nylon gland for use Unarmoured and Screened Flexible Cables cable providing mechanical retention for the cable and an IP66 seal on the outer sheath.
- Application:** Nylon Cables Glands that provide an environmental seal on the cable outer sheath for all indoor and outdoor cable installations in Zone 1 and Zone 2 Explosive Atmospheres, where an Ex e Code of Protection has been permitted. This cable gland is also suitable for use in conjunction with Ex de equipment and apparatus which has an increased safety terminal chamber.
- Design:** EC design type approval certificate in accordance with the requirements of EN50014, EN50019 and the ATEX Directive 94/9/EC, concerning safety of Electrical Equipment, Products and Protection Systems for use in potentially Explosive Atmospheres.
- Accessories:** As standard, all glands come complete with Locknuts.
- Colour:** Black
- Approvals:** Lloyds 01/00172



Thread Size 'A'	Thread Length 'B'	Cable Acceptance Range 'C'		Batt Part No
		Min	Max	
M12	8.0	3.5	6.5	-
M16	8.0	5.0	8.0	88487
M20	9.0	7.0	12.0	88485
M25	11.0	12.0	18.0	88486
M32	11.0	17.0	25.0	88989
M40	-	-	-	-
M50	12.0	28.0	38.5	-
M63	12.0	40.0	48.0	-



Whilst BATT CABLES plc endeavours to ensure the information on the website, specification sheets and all other technical information is accurate, the information is for guidance only and it is subject to change without notice or liability. Batt Cables Plc is not responsible for the consequences of any inadequacies, inaccuracies or other deficiencies contained therein. When selecting cable accessories, please note that the actual cable dimensions may vary due to manufacturing tolerances.